

neoVI MOTE

Customizable CAN Node

A Customizable CAN Node at Your Fingertips

The neoVI MOTE is a scriptable CAN node with 4 buttons and audible feedback. Specially designed for in-vehicle applications, it easily mounts to the dashboard and has a sunlight-readable display.

Applications

- Triggering device for a CAN data logger; works with any CAN tool
- Adjust ECU algorithms on the fly using XCP or CCP
- Build your own custom diagnostic tool
- Simulate an ECU and make signals adjustable using buttons
- Parking lot ECU flashing display

Features

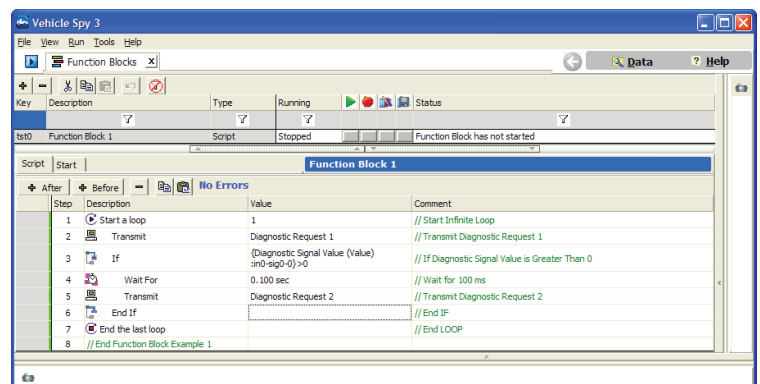
- Power management with automatic CAN or button wakeup and sleep current under 200 μ A
- Configurable CAN bus termination
- Buzzer allows different tones via script for various types of audible feedback
- Sunlight-readable display with automatic scroll feature to accommodate text wider than the display



The scripting feature allows you to program the pendant to do complex message transmission and decoding for such protocols as XCP, GMLAN, ISO14229/UDS and J1939



The lightweight pendant can be mounted to the dashboard using Velcro to ensure easy reach by the driver



Vehicle Spy Function Block scripts allow you to write powerful applications that interact with CAN, the buttons, buzzer and display



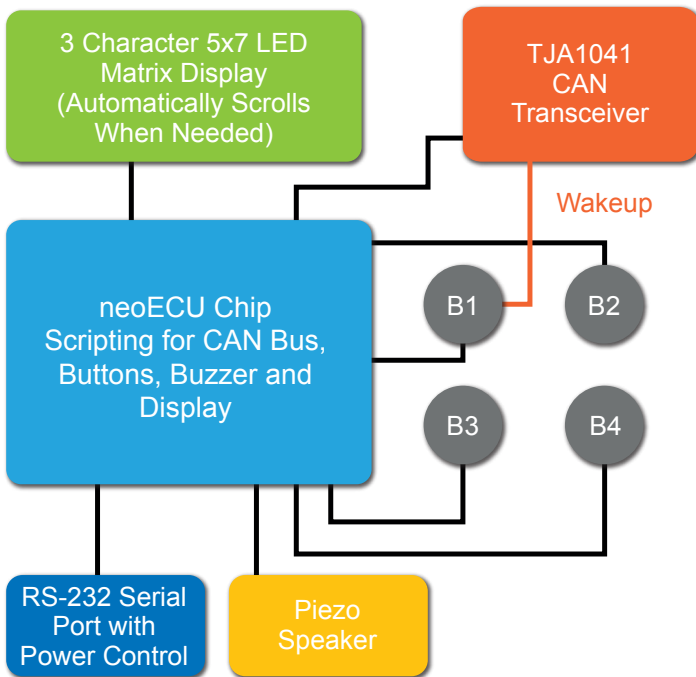
INTREPID
CONTROL SYSTEMS
www.intrepidcs.com

1850 Research Drive
Troy, MI 48083 USA
Phone: +1 (586) 731-7950
Fax: +1 (586) 731-2274



www.aeta-rice.com

neoVI MOTE



neoVI MOTE block diagram



The neoVI FIRE data cable allows you to connect directly to the pendant without any custom cabling



The ValueCAN OBD cable allows you to connect directly to the vehicle without any custom cabling

Example Application

Here the display acts as an interface for a data logger.



Ordering Information

Part Number	Description
NEOVI-MOTE	neoVI MOTE pendant

Specifications subject to change; please contact Intrepid for the latest information. All trademarks are the property of their respective owners.

Rev. 20200616



INTREPID
CONTROL SYSTEMS
www.intrepidcs.com

1850 Research Drive
Troy, MI 48083 USA
Phone: +1 (586) 731-7950
Fax: +1 (586) 731-2274



www.aeta-rice.com